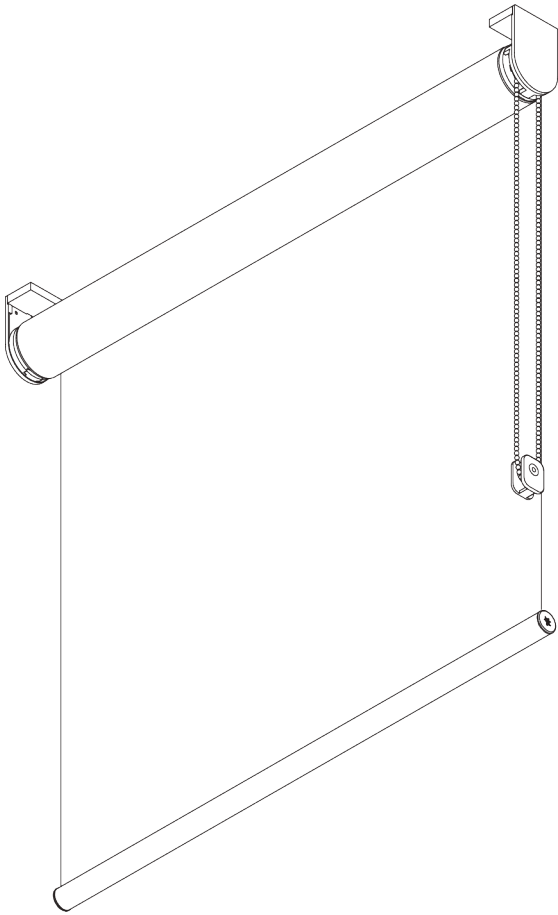


# SG 4930

---



## PRODUCT INFORMATION

- **Operation:** chain
- **Range:** M - L
- **Fitting:** ceiling, wall, recess
- **Colours:** white RAL 9016, grey RAL 7035, black RAL 9005, special colours possible
- **Fabrics:** refer to Silent Gliss fabric collection

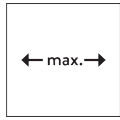
### **Features:**

- 5-to-1 gear drive
- Stainless steel bead chain
- Two connected systems
- Click-in brackets
- Fascia, box, installation profile

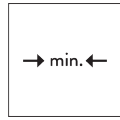
01/2026/V1

# SYSTEM SPECIFICATIONS

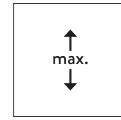
## A. SYSTEM DIMENSIONS



Single system: 3.4 m  
Double system: 6.8 m



65 cm



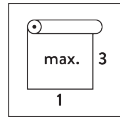
5 m



Single system: 17 m<sup>2</sup>  
Double system: 30 m<sup>2</sup>



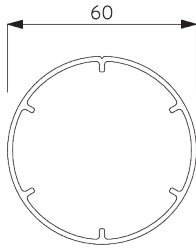
7 kg



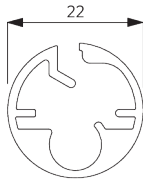
Recommended width /  
height ratio  
max. 1:3

## B. PROFILE

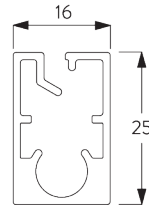
### Profile information



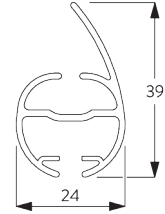
**SG 11037**  
Tube ø 60 mm



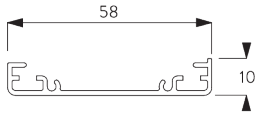
**SG 10760**  
Bottom bar



**SG 10770**  
Bottom bar



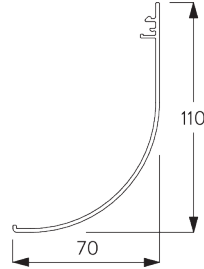
**SG 4903**  
Bottom bar



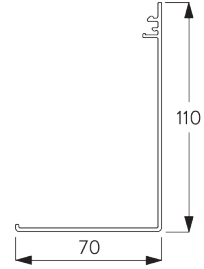
**SG 11181**  
Installation profile



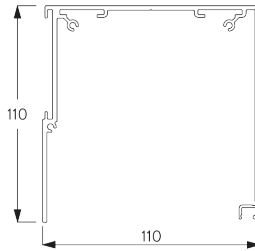
**SG 11530**  
Installation profile fascia 110 mm



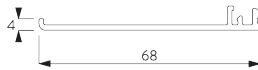
**SG 11531**  
Fascia round 110 mm



**SG 11532**  
Fascia square 110 mm



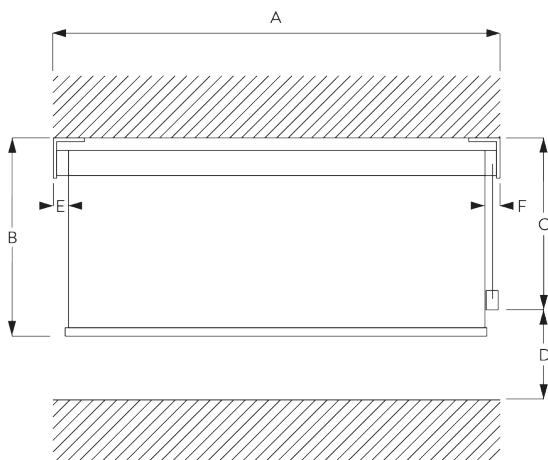
**SG 11533**  
Box case 110 mm



**SG 11534**  
Box cover 110 mm

## C. HOW TO MEASURE

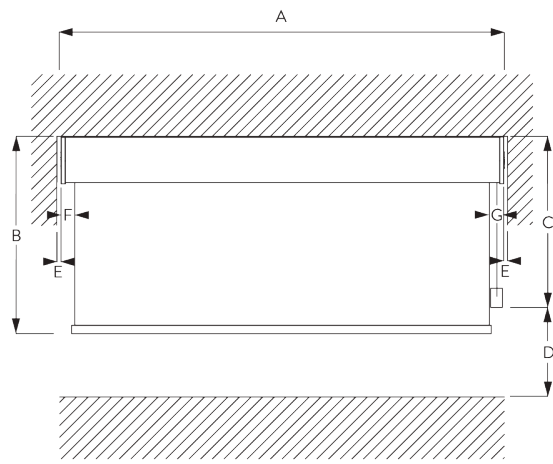
*incl. bracket covers*



- A: System width
- B: System height
- C: Chain height
- D: Safety Retainer SG 10731 min. 150 cm above floor
- E: Light gap: 18 mm
- F: Light gap operation side: 25 mm

Note:  
All measurements include 2 mm for bracket cover per side!

## Fascia / Box



- A: System width
- B: System height
- C: Chain height
- D: Safety Retainer SG 10731 min. 150 cm above floor
- E: Gap: min. 10 mm (when cover is used)
- F: Light gap: 20 mm
- G: Light gap operation side: 27 mm

## D. SPECIFICATION

### TEXT

### EN

Silent Gliss Chain Operated Roller Blind System SG 4930. Roller blind system for medium to large size blind applications up to 3.4m wide. Supplied made to measure and complete with barrel SG 11037, gear and integrated brake to ensure smooth operation and exact stop positions without slippage. Fixed to wall / ceiling / inside recess with SG 11172 / 11175 brackets with side cover SG 11173/11174 to ensure neat appearance. Brackets and hardware in white/grey/black finish. Optional installation profile SG 11181 for easy installation with clamps SG 11180. Optional side guide wires. Double system option can be operated simultaneously by a single chain fitted with SG 11183 connecting bolt. Bottom bar in white/grey/black SG 4903/10993. Compliant to Child Safety legislation EN 13120. Fabric to be chosen from the Silent Gliss fabric range, Price Group 1-4.

### SV

Silent Gliss SG 4930 kedjemanövrerat rullgardinsystem. Rullgardinsystem för installationer upp till 3,4 m bredd. Levereras komplett i specificerat mått innefattande anodiserat rör SG 11037, 60 mm, med utväxling och broms för att garantera lätt och steglös upp- och nerrullning. Vägg/tak och nischmontering med fästen SG 11172 / SG 11175 samt täckplattor SG 11173/11174 i vitt/grått eller svart. Alternativt med installationsprofil SG 11181 som monteras med SG fästen 11180. Sidewire som tillbehör. Dubbelsystem för manövrering med 1 kulkedja via kopplingsbeslag SG 11183. Monterad tyngdprofil i aluminium i finish vitt/grått/svart med SG 4903/10993). Uppfyller barnsäkerhetsnormen EN 13120. Textil från Silent Gliss textilprogram i prisgrupp 1-4.

### NO

Silent Gliss SG 4930 Kjedefbetjent rullegardinsystem. Rullegardinsystem for maks. bredde på 3,4 meter. Leveres komplett på spesialmål med anodisert rør integrert, SG11037, 60mm, med utveksling og brems for å garantere lett og trinnløs opp- og nedrulling. Tak-,vegg- og nisjemontering med feste SG11172 / SG11175 samt dekkplate SG 11173/11174 i hvit, grå eller svart. Alternativt monteringsprofil SG 11181 som monteres med feste SG 11180. Sidewire som tilbehør. Koblingsbeslag SG 11183 for betjening av dobbelt system med kulekjede. Montert tyngdeprofil i pulverlakkert aluminium i hvit/alu/svart med SG 4903/10993. Oppfyller barnesikkerhetsnormen EN13120. Tekstil fra Silent Gliss kolleksjon i prisgruppe 1-4.

### DA

Silent Gliss rullegardinsystem med kædestyring SG 4930. Rullegardinsystem til mellem til store installationer med op til 3,4m bredde. Leveres i ønsket længde og komplet med aluminiumrør SG 11037, gear og integreret bremse, der sørger for trinløs betjening og nøjagtige stopstillinger uden glidning. Fastgøres i væggen / loftet / indfældes med beslagene SG 11172 / 11175 med sideafdækning SG 11173/11174, så det ser pænt ud. Beslag og armaturer i hvid/grå/sort finish. Alternativt med installationsprofil SG 11181 for nem installation med klemmerne SG 11180. Sidewirer som tilbehør. Valgfrit dobbelt system kan betjenes samtidigt med en enkelt kæde med en SG 11183 tilslutningsbolt. Tyngdeprofil i hvidt/gråt/sort SG 4903/10993. Overholder lovgivning om børnesikkerhed efter EN 13120. Stoffet vælges fra Silent Gliss stofprogrammet, prisgruppe 1-4.

# FITTING

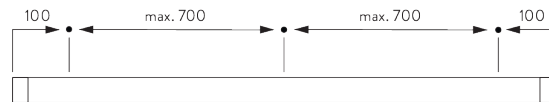
## A. FITTING INFORMATION

For detailed fitting information, visit the Silent Gliss website.

## Fixing points

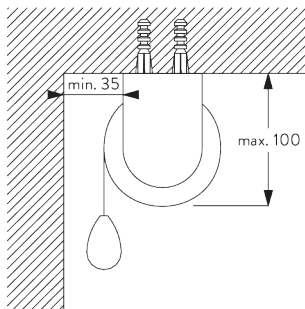


Brackets (wall / ceiling)

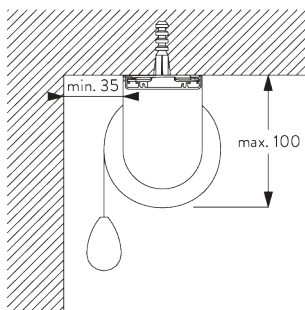


Fascia / box & installation profile SG 11181 (wall / ceiling)

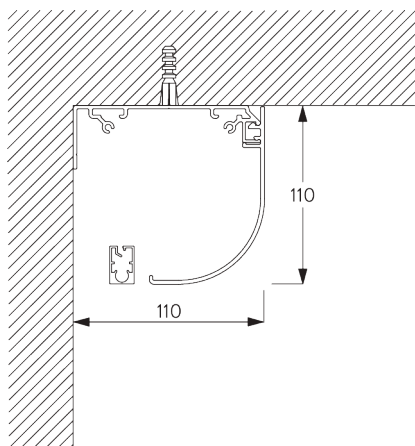
## B. CEILING FITTING



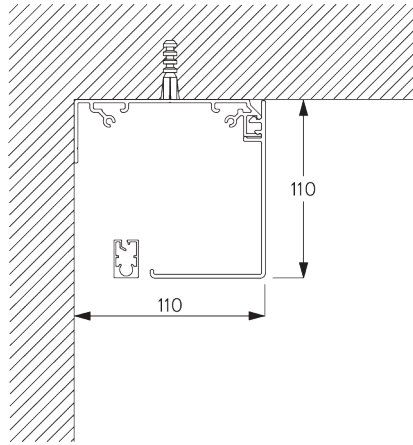
Brackets



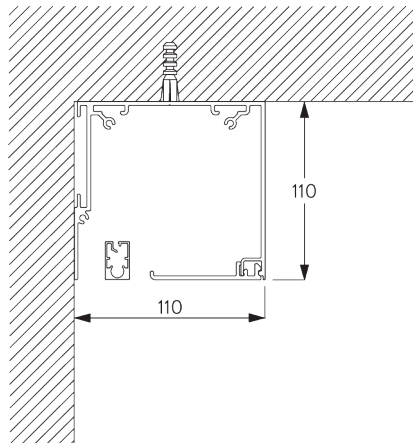
Installation profile SG 11181 and clamp SG 11180



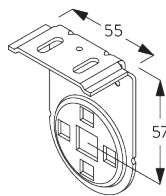
Fascia round



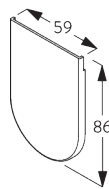
**Fascia square**



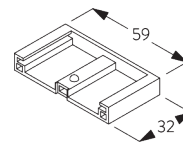
**Box**



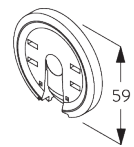
**SG 11172**  
Bracket



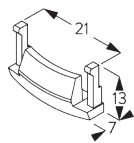
**SG 11173**  
Bracket cover



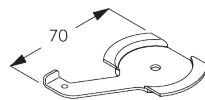
**SG 11174**  
Bracket cover



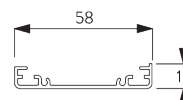
**SG 11175**  
Click flange



**SG 11179**  
Cover

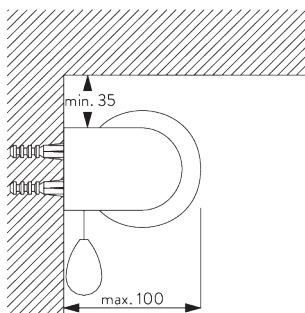


**SG 11180**  
Clamp

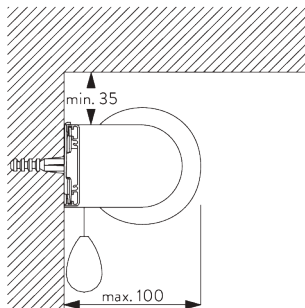


**SG 11181**  
Installation profile

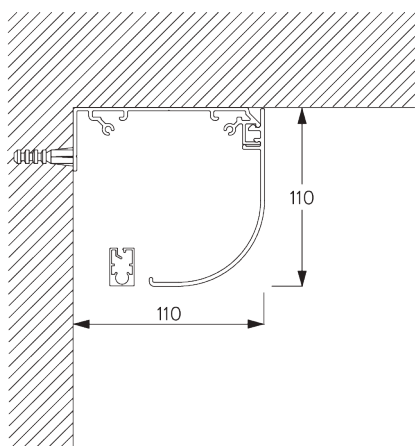
## C. WALL FITTING



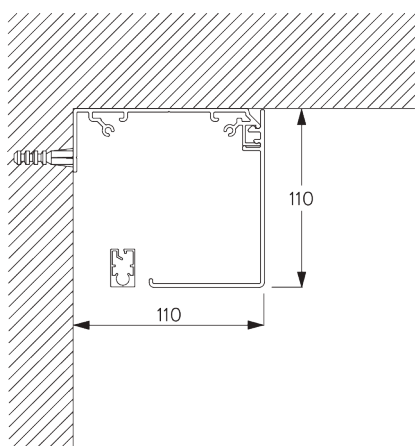
**Brackets**



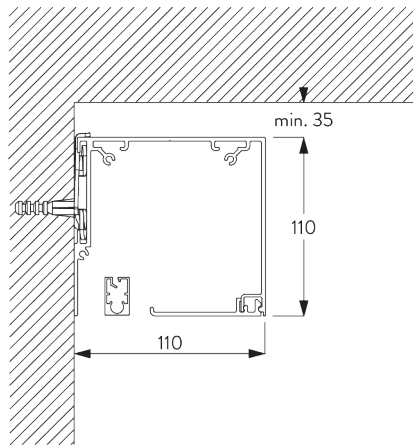
**Installation profile SG 11181 and clamp SG 11180**



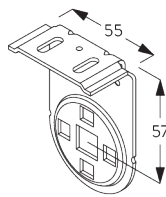
**Fascia round**



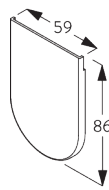
**Fascia square**



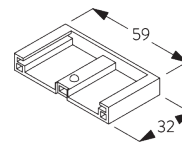
**Box and clamp SG 11180**



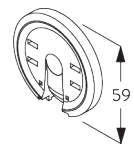
**SG 11172**  
Bracket



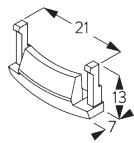
**SG 11173**  
Bracket cover



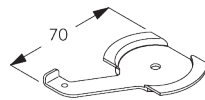
**SG 11174**  
Bracket cover



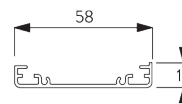
**SG 11175**  
Click flange



**SG 11179**  
Cover

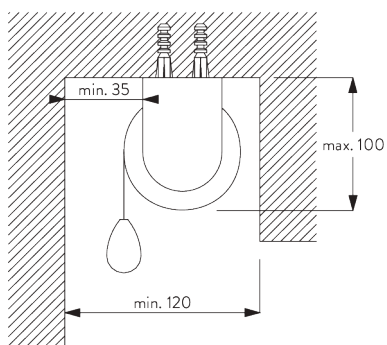


**SG 11180**  
Clamp

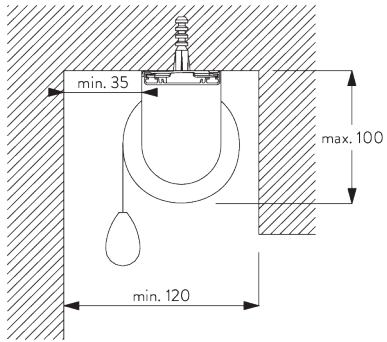


**SG 11181**  
Installation profile

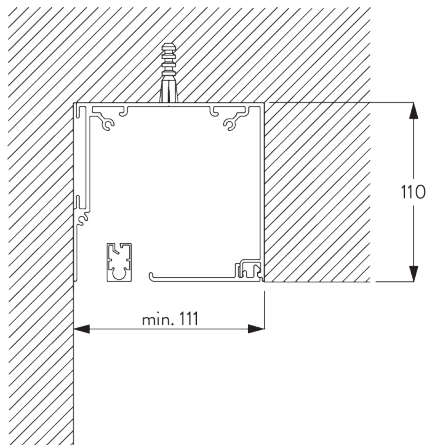
## **D. RECESS FITTING**



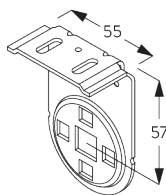
**Brackets**



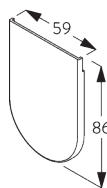
**Installation profile SG 11181 and clamp SG 11180**



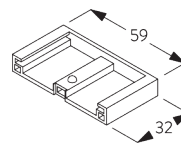
**Box**



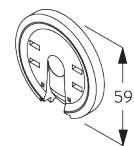
**SG 11172**  
Bracket



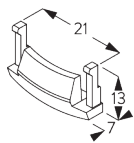
**SG 11173**  
Bracket cover



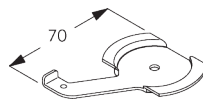
**SG 11174**  
Bracket cover



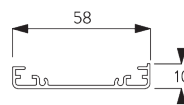
**SG 11175**  
Click flange



**SG 11179**  
Cover

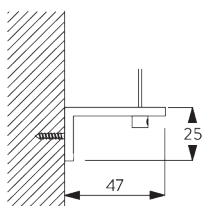


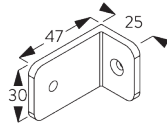
**SG 11180**  
Clamp



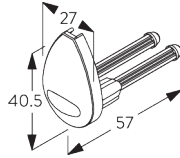
**SG 11181**  
Installation profile

**E. FITTING WITH  
SIDE GUIDE  
OPTION**

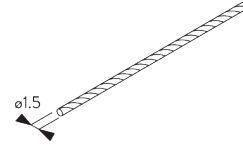




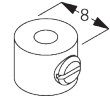
**SG 3036**  
Bracket 47 mm



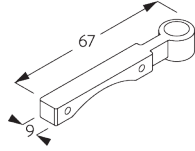
**SG 4944**  
Side guide end cover



**SG 4948**  
Side guide wire ø 1.5 mm



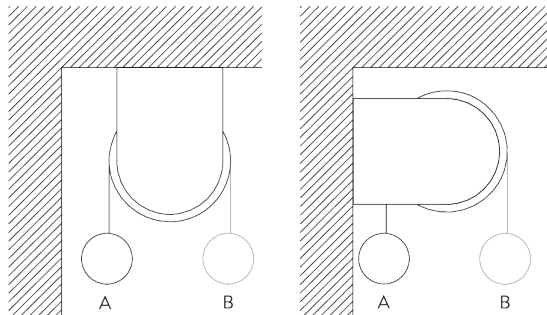
**SG 8249**  
Side guide device



**SG 11182**  
Side guide wire holder

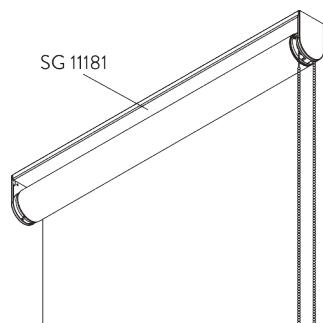
# SYSTEM OPTIONS

## A. FABRIC ROLL-OFF

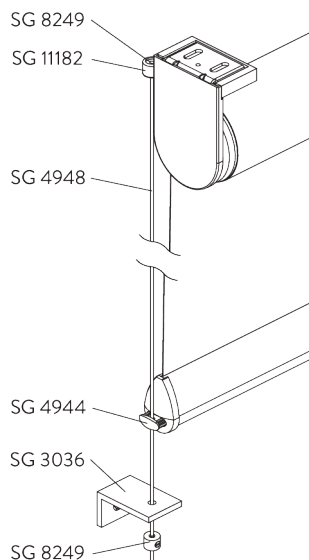


A: Fabric roll-off window side (standard)  
B: Fabric roll-off room side (option)

## B. INSTALLATION PROFILE



## C. SIDE GUIDES



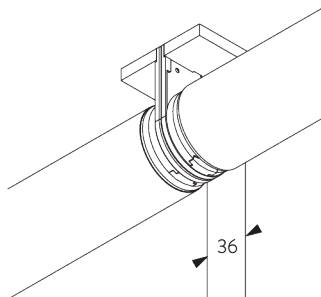
### Additional parts:

- 2x SG 3036 Bracket
- 2x SG 4944 Side guide end cover
- 2x SG 4948 Side guide wire  $\varnothing$  1.5 mm
- 4x SG 8249 Side guide device
- 2x SG 11182 Side guide wire holder

### Note:

- Light gaps increase when side-guide option is used
- Up to 15° from vertical
- Only applicable with bottom bar SG 4903

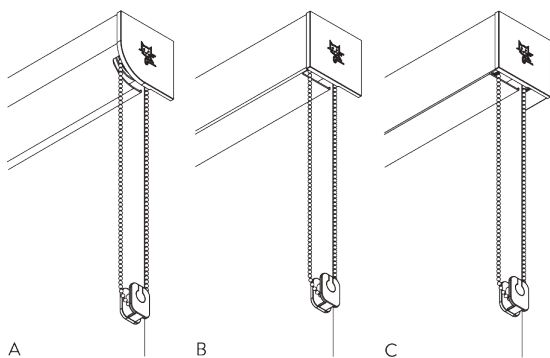
## D. TWO CONNECTED SYSTEMS



### Additional parts:

- 1x SG 11175 Click flange
- 1x SG 11183 Connecting bolt
- 2x SG 11184 Connection bracket cover
- 1x SG 11195 Connection tube adapter

## E. FASCIA / BOX



A: Fascia round

B: Fascia square

C: Box

### Size:

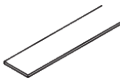
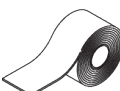






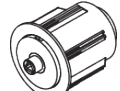
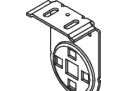

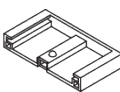

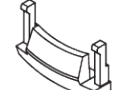
- 110 x 110 mm

### Note:

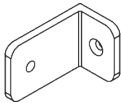

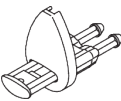

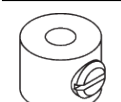
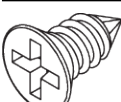

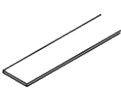
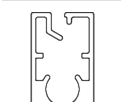
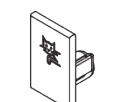

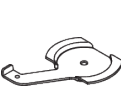

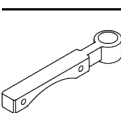
- Only applicable with bottom bar SG 10770
- Not possible with connected systems

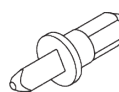

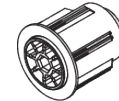
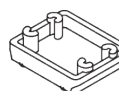
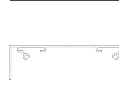
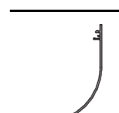

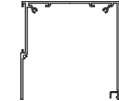
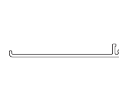





# PARTS

## A. STANDARD PARTS

	<b>SG 4223</b> PVC strip 14 mm
	<b>SG 4226</b> Double tape 30 mm
	<b>SG 4845</b> Bead chain metal ø 4.5 mm
	<b>SG 10731</b> Child safety retainer set
	<b>SG 10760</b> Bottom bar
	<b>SG 10761</b> End cover
	<b>SG 10962</b> Chain drive
	<b>SG 11037</b> Tube ø 60 mm
	<b>SG 11165</b> Tube adapter
	<b>SG 11172</b> Bracket
	<b>SG 11173</b> Bracket cover
	<b>SG 11174</b> Bracket cover
	<b>SG 11175</b> Click flange
	<b>SG 11179</b> Cover

## B. OPTIONAL PARTS

	<b>SG 3036</b> Bracket 47 mm
	<b>SG 4903</b> Bottom bar
	<b>SG 4944</b> Side guide end cover
	<b>SG 4948</b> Side guide wire ø 1.5 mm
	<b>SG 8249</b> Side guide device
	<b>SG 10139</b> Countersunk screw 2.9x6.5
	<b>SG 10498</b> Countersunk screw 2.9x9.5
	<b>SG 10668</b> PVC strip 10 mm
	<b>SG 10770</b> Bottom bar
	<b>SG 10771</b> End cover
	<b>SG 11178</b> End cover
	<b>SG 11180</b> Clamp
	<b>SG 11181</b> Installation profile
	<b>SG 11182</b> Side guide wire holder

	<b>SG 11183</b> Connection bolt
	<b>SG 11184</b> Connection bracket cover
	<b>SG 11195</b> Connection tube adapter
	<b>SG 11311</b> Bracket spacer
	<b>SG 11530</b> Installation profile fascia 110 mm
	<b>SG 11531</b> Fascia round 110 mm
	<b>SG 11532</b> Fascia square 110 mm
	<b>SG 11533</b> Box case 110 mm
	<b>SG 11534</b> Box cover 110 mm
	<b>SG 11537</b> Bracket cover round left 110 mm
	<b>SG 11538</b> Bracket cover round right 110 mm
	<b>SG 11539</b> Bracket cover square left 110 mm
	<b>SG 11540</b> Bracket cover square right 110 mm
	<b>SG 11544</b> Bracket left 110 mm



**SG 11545**

*Bracket right 110 mm*

---





